

thor

Electric Pasta Cookers



The Thor Pasta Cooker comes with portion size baskets, timer control, thermostat control and a drainage tap. Stainless steel in construction, the counter top electric Pasta Cooker is ideal for the kitchen with limited space. The Thor Pasta Cooker is reliable and efficient, and can be used at any time to cook pasta quickly.

Product Features

- Stainless steel construction - #304 grade
- Tilt back and removable electrical head assemble to assist with cleaning and removal of oil tank
- Immersion type stainless steel tubular element
- Element protector and tank base plate
- Thermostat control and indicator light
- Temperature range : 30°C-100°C / 85°F - 215°F
- Thermal overload protection
- Electrical safety isolation switch
- Audible digital timer
- 4 stainless steel mesh baskets
- Stainless steel water tank with drain
- Stainless steel lid
- Non slip feet

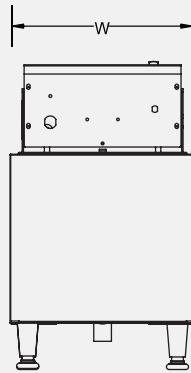
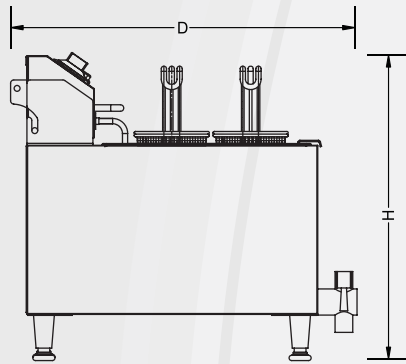
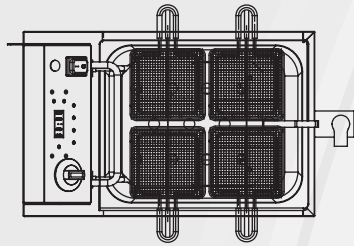
Optional Features:

- Quad and twin baskets

Electric Pasta Cookers



Electric Pasta Cookers



thor

Product Code

Capacity/
Cooking Area

Electrical

Product Overall Dimensions (mm/inch)

TR01520

8 Ltrs

220-240 V, 50 Hz, 2.9 kW, 12.6 A

Width
283/11.1

Depth
516/20.3

Height
465/18.3

The dimensions given are reference dimensions only. Due to a continuous program of product improvement, United Foodservice Equipment reserves the right to make product changes without notice.

This document contains information that is confidential and proprietary to United Foodservice Equipment and shall not be reproduced or transferred to other documents or disclosed to others or used for any purpose other than that for which it was obtained without the expressed written consent of United Foodservice Equipment.

United Foodservice Equipment Limited
15th Floor, King Plaza
52A Sha Tsui Road, Tsuen Wan, Hong Kong
t: +852 8120 7818
f: +852 3010 3430
e: sales@unitedfoodserviceequipment.com
www.unitedfoodserviceequipment.com